



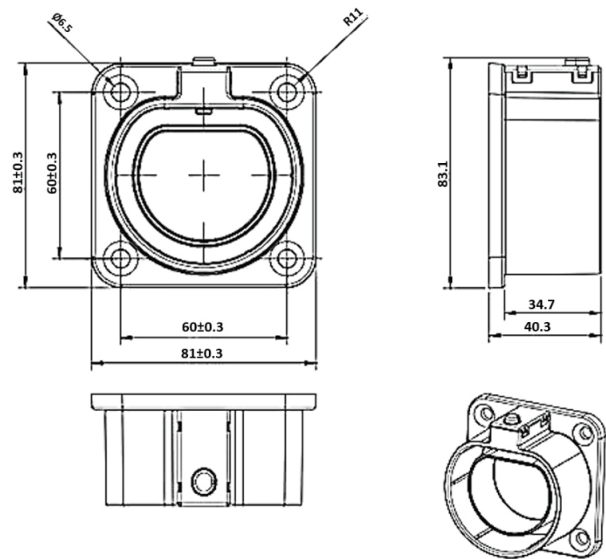
IEC62196 TYPE 2 DUMMY SOCKET FOR TYPE 2 EV PLUG

EVFAST Type-2 Gun Holder helps you to hang up your Type-2 plug (Electric Vehicle end) near the home charging station/charger when not in use. The product is stronger, Anti-Aging, Environmental friendly and Heat Resistant. The design of this Dummy socket/ Gun Holder is according to the real usage scenario. Our EVSE plug holder protect core contact having high load bearing capacity and long mechanical life.

When we finish with the charge and disconnect the cable from the car, this dummy socket helps to keep cable organised in limited space thus ensuring that the charging cable is not twisted or excessively bent during the storage. There is a button design on the top which helps in easy plug in/out.

KEY FEATURES

- Anti-flaming
- Reliability of materials
- Pressure-resistant, Abrasion resistance, Impact resistance
- It is conforming to IEC 62196 standard and will perfectly be compatible with our Type-2 Connectors.
- Sturdy, Durable and easy to use.
- Could be fixed on the wall or any mounted plate
- Mechanical life: No-load plug in/pull out >10000 times
- Operating Temperature: -30°C ~ +55°C
- Material: NYLON PA66
- Sealing Gasket
- Mounting Nut Bolts



ADVANCE EV CHARGING SOLUTIONS

+91-9711130399, +91-9350430777

aeecs@ev-fast.com www.ev-fast.com



THE FUTURE OF SMART EV CHARGERS



SMART AC CHARGER



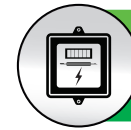
EARNING POTENTIAL

Make your charger public, and earn per hour for bookings



REMOTE ON/OFF

Power On/Off via EVFAST SMART app. In Bluetooth Range.



ENERGY METER

Keep A Track Of Power Consumed Via App. High Precision.



AUTO CUT-OFF

Time Band Cut-off. Energy Consumed Cut-off. No Load Cut-off.



BLUETOOTH ENABLED

Bluetooth Connectivity To Provide Seamless Experience

EVFAST SMART APP CONNECTIVITY

Track Nearest EVFAST SMART Location To Scan - Pay - Charge



CHARGING TIME INDICATOR

Track the time taken for charge on App.



PRICE CALCULATOR

Auto Price Calculator Based On Time Taken & Energy Consumed



M.C.B. ON/OFF

MCB for manual override and troubleshooting.



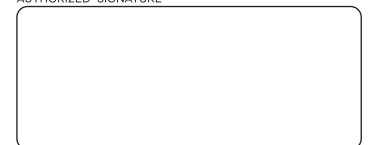
UPI PAYMENT

Add money to wallet using UPI gateway on the app



TECHNICAL SPECIFICATIONS

MODEL	EVFAST SMART AC CHARGERS BLE
CAPACITY	3.3 kW
Input Voltage (Vac)/Frequency	AC 230V + 15%, 50 (±) 1Hz
Wires	3 Wires L,N & PE
Output Voltage(Vac)	AC 230V + 15%
Standard Connector	16A Universal / Industrial socket
Efficiency	>95%
Safety Parameters	Over-Voltage, Under-Voltage, Over-Current, Short-Circuit, Ungrounded, Reverse Connect
Display Screen	1.3" OLED Screen/LED Indicators
User Authentication	QR, App Based
Payment	App Wallet
Between EV Charger and Mobile App	Bluetooth 4.0, 2.4Ghz.Wifi
Protection	IP54
Operating Temperature	(-20~+60°C)
Dimensions	180(W) X 280(H) X 95(D) in MM





EVFAST ROPE SET

(PORTABLE CHARGER)



3.3 kw - 7.4 kw
6-16A 10-32A



POWER WITH **EVFAST**

TECHNICAL SPECIFICATIONS EVFAST ROPESET

MODEL		ROPESET
CAPACITY		3.3Kw - 7.4Kw
Input Parameters	Input Voltage(Vac)	AC230 V(±)15 %
	Input Frequency	50 ±1 Hz
	THD	5% of Nominal Voltage
	Power Factor	0.99(Full Load)
	Wires	3 Wires L, N and PE
Output Parameters	AC Output	Type2,AC Single Phase, Upto 3.3kW / 7.4kW
	Output Voltage(Vac)	AC230 V(±)15 %
	Standard Connector	AC Type 2
	No of Guns/Connector	Single Gun
	Charging Standard	IEC-62196-2
	Efficiency	≥ 95 %
	Current Rating	16A/32A
	Standby Power Consumption	<1W
Protection & Safety	Safety Parameters	Over-Voltage, Under-Voltage, Over-Current, Short-Circuit, Ungrounded, A Type Leakage, Reverse Connect, Over-Temperature
Mechanical	Protection	IP67
	Charging Cable Length	5Meter
	Operating Temperature	(-20 ~ +60°)
	Storage Temperature	(-20 ~ +60°)
	Humidity (Non-Condensing)	5% ~ 95%(Non-Condensing)
	Altitude	≤ 3000 m



ADVANCE EV CHARGING SOLUTIONS

📍 154, First Floor, Vardhman Premium Mall, Lsc,
Outer Ring Road, Deepali, Pitampura, Delhi-110034
☎ +91-9711130399, +91-9350430777

AUTHORIZED SIGNATURE



GO ELECTRIC SMART

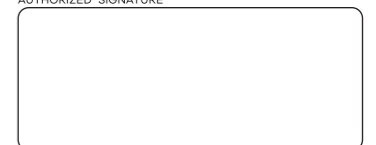
HYBRID AC CHARGER



CHARGE THE FUTURE WITH EVFAST

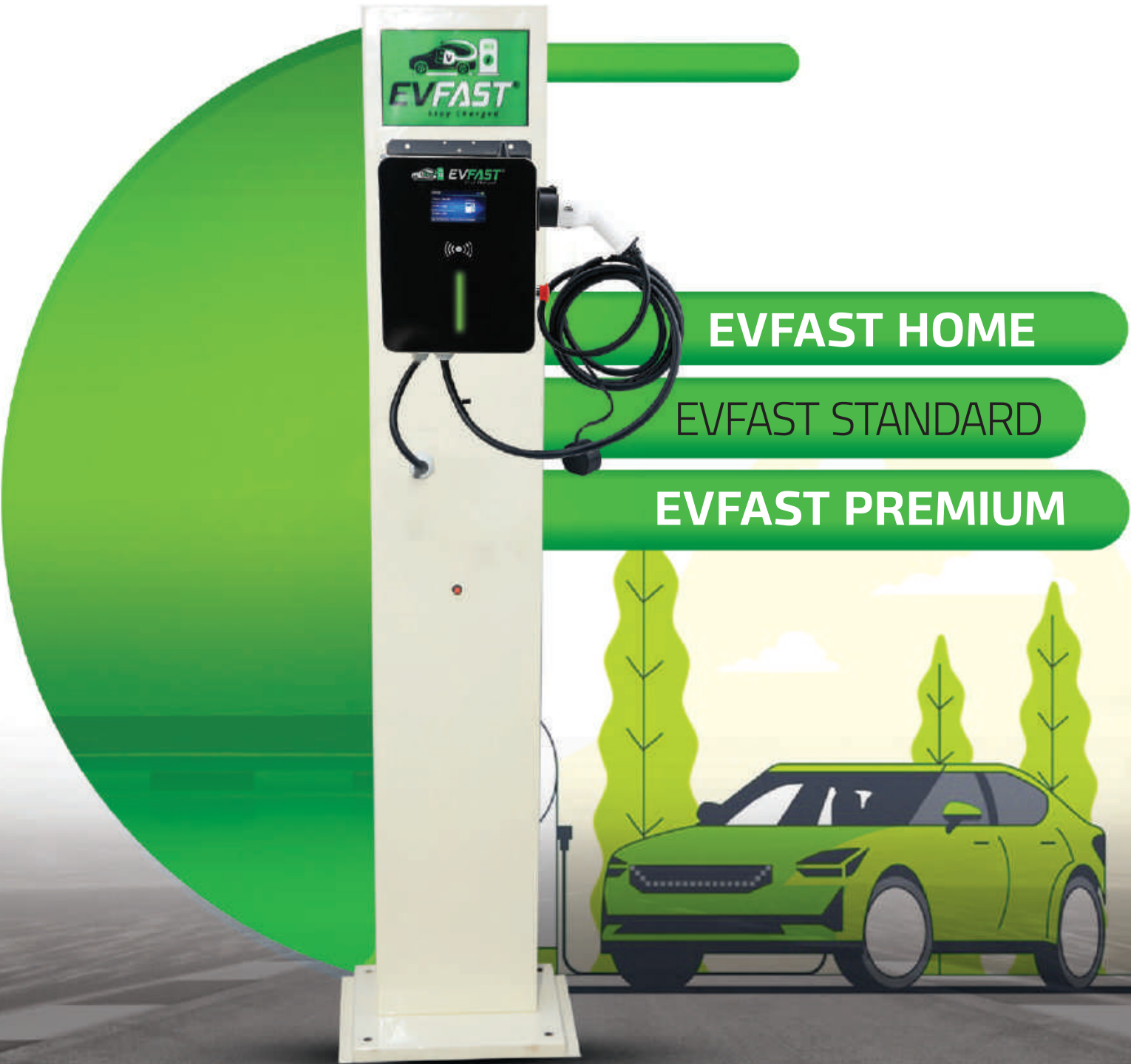
TECHNICAL SPECIFICATIONS

MODEL		EVFAST HYBRID AC CHARGER		
CAPACITY		14 kW		
Input Parameters	Input Voltage (Vac)	3 Phase 415 Vac (380-440 Vac)		
	Input Frequency	50(±) 1HZ		
	THD	5% of Nominal Voltage		
	Power Factor	0.99 (Full Load)		
	Wires	5 Wires L1, L2, L3, N & PE		
Output Parameters	Output Voltage (Vac)	Each Output 230 Vac		
	Number of Standard Connector	Type 2, AC Single Phase 7.4kW Max	3.3kW Modular Socket	3.3kW Industrial Socket
	No of Guns/Connector	3 Output		
	Charging Standard	IEC 62196-2	IEC 60309	IEC 60309
	Efficiency	≥95%		
Protection & Safety	Safety Parameters	Over-Voltage, Under-Voltage, Over-Current, Short-Circuit, Ungrounded, A Type Leakage, Reverse Connect		
User Interface & Control Functions	Display Screen	4.3" LCD Screen / 20 x 4 Jumbo LCD + LED		
	Language Supported	English		
	Push Button	Emergency Stop (Red)		
	Visual Indication	Presence Of Input Supply, Initialization, Server connection status, Charging & Error		
	User Authentication	RFID, QR, AppBased		
	Payment	RFID Card, App Wallet		
Communication	Between EV Charger & EV	As Per IEC 61851-1	As Per BEVC -AC001	As Per BEVC - AC001
	Between EV & Central Server	OCPP 1.6 or Above, 2G/3G/4G, Wifi or Ethernet (optional).		
Mechanical	Protection	IP54		
	Charging Cable Length	Wire 5 Meter	No Wire	No Wire
	Operating Temperature	(-20 ~ + 60° C)		
	Cooling	Natural Cooling		
	Humidity (Non-Condensing)	5%-95% (Non-Condensing)		
	Altitude	≤2000m		
Dimensions	(W) X (H) X (D)	400 X 620 X 190 (MM)		





THE FUTURE OF SMART E-MOBILITY



EVFAST HOME

EVFAST STANDARD

EVFAST PREMIUM

GO ELECTRIC GO SMART

CHARGE THE FUTURE WITH EVFAST

TECHNICAL SPECIFICATIONS EVFAST AC CHARGERS				
MODEL	HOME	STANDARD	PREMIUM	
CAPACITY	7.4kW	7.4kW	7.4kW	
Input Parameters	Input Voltage(Vac)	AC 230V±15%	AC 230V±15%	AC 230V±15%
	Input Frequency	50±1 Hz		
	THD	5% of Nominal Voltage		
	Power Factor	0.99(Full Load)		
	Wires	3- Wires L, N & PE	3-Wires L, N & PE	3-Wires L, N & PE
Power Output	AC Output	Type 2, AC Single Phase 7.4kW Max.	Type 2, AC Single Phase 7.4kW Max.	Type 2, AC Single Phase 7.4kW Max.
	Output Voltage(Vac)	AC 230V±15%	AC 230V±15%	AC 230V±15%
	Standard Connector	AC Type 2		
	Number of Guns/Connector	Single Gun		
	Charging Standard	IEC-62196-2		
Protection & Safety	Efficiency	≥95%		
	Safety Parameters	Over-Voltage, Under-Voltage, Over-Current, Short-Circuit, Ungrounded, A Type Leakage, Reverse Connect		
User Interface & Control Functions	Display Screen	20 X 4 JUMBO LCD + LED	20 X 4 JUMBO LCD + LED	4.3" LCD Screen+LED
	Language Supported	English		
	Push Button	Emergency Stop (Red)		
	Visual Indication	Presence Of Input Supply, Charging & Error	Presence Of Input Supply, Initialization, Server connection status, Charging & Error	
	User Authentication	Plug N Play	RFID, QR, AppBased	
	Payment	NA	RFID Card, Wallet, App Wallet	
Communication	Between EV Charger & EV	Type-2AC As Per IEC 61851-1		
	Between EV & Central Server	NA	OCPP 1.6 or Above, 2G/3G/4G, Wifi or Ethernet (optional).	
Mechanical	Protection	IP54		
	Cooling	Natural Cooling		
	Charging Cable Length	5 Meter		
	Operating Temperature	(-20 ~ +60° C)		
	Humidity (Non-Condensing)	5% ~ 95% (Non-Condensing)		
Dimensions	(W) X (H) X (D)	235 X 310 X 130 (MM)	235 X 310 X 130 (MM)	285 X 360 X 160 (MM)



ADVANCE EV CHARGING SOLUTIONS

Plot No-95,Block-M Sector-2
Bawana Industrial Area, Bawana, Delhi-110039
+91-9711130399, +91-9350430777

AUTHORIZED SIGNATURE



THE FUTURE OF
**SMART
E-MOBILITY**

**GO ELECTRIC
SMART**
EVFAST
BHARAT
AC001



**EVFAST UNTOUCHABLE
FASTEST CHARGING**



TECHNICAL SPECIFICATIONS EVFAST BHARAT AC001 CHARGER		
MODEL		BHARAT AC001
CAPACITY		10kW
Input Parameters	Input Voltage(Vac)	3 Phase, 415 Vac (380-440Vac)
	Input Frequency	50±1 Hz
	THD	5% of Nominal Voltage
	Power Factor	0.99 (Full Load)
	Wires	5-Wires AC L1, L2, L3, N & PE
Power Output	Output Voltage(Vac)	Each Output 230Vac
	Standard Connector	3.3kW Industrial Socket
	Number of Guns/Connector	3 Output
	Charging Standard	IEC 60309
	Efficiency	≥95%
Protection & Safety	Safety Parameters	Over-Voltage, Under-Voltage, Over-Current, Short-Circuit, Ungrounded, A Type Leakage
User Interface & Control Functions	Display Screen	20 x 4 Jumbo LCD + LED (4.3" LCD Screen- Optional)
	Language Supported	English
	Push Button	Emergency Stop (Red)
	Visual Indication	Presence Of Input Supply, Initialization, Server connection status, Charging & Error
	User Authentication	RFID, QR, AppBased
Communication	Payment	RFID Card, App Wallet
	Between EV Charger & EV	As Per BEVC-AC001
Mechanical	Between EV & Central Server	OCPP 1.6 or Above, 2G/3G/4G, Wifi or Ethernet (optional).
	Protection	IP54
	Cooling	Natural Cooling
	Charging Cable Length	No wire
	Operating Temperature	(-20 ~ +60° C)
	Humidity (Non-Condensing)	5% ~ 95% (Non-Condensing)
Altitude	≤2000m	
Dimensions	(W) X (H) X (D)	400 X 620 X 190 (MM)



ADVANCE EV CHARGING SOLUTIONS

📍 Plot No-95,Block-M Sector-2
Bawana Industrial Area, Bawana, Delhi-110039
☎ +91-9711130399, +91-9350430777

AUTHORIZED SIGNATURE